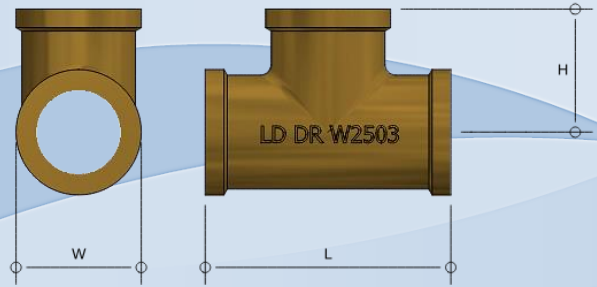
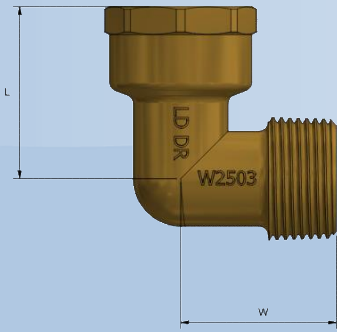


BRASS FITTINGS

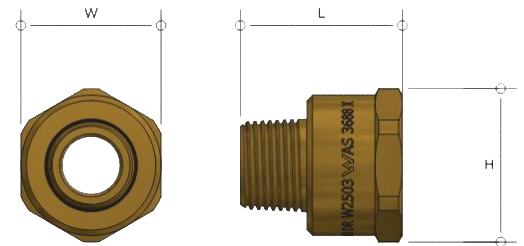
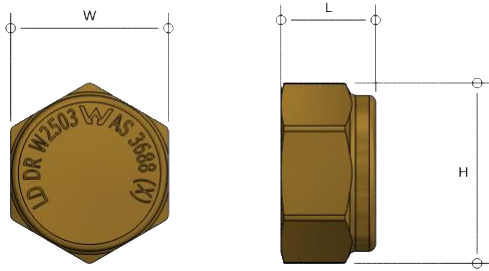


SPECIFICATIONS

#625 & #627
 Working temp 0 - 60°C
 Max pressure rating 1600kpa
 Material DR brass
 Tested & certified AS 3688
 Dimensions - 36 L x 32 W (#625)
 37 L x 34 W (#627)

SPECIFICATIONS

#630 & #640
 Working temp 1 - 60°C
 Max pressure rating 1600kpa
 Material DR brass
 Tested & certified AS 3688
 Dimensions - mm 26 L x 13 H x 15 W (#630)
 50 L x 25 H x 26 W (#640)

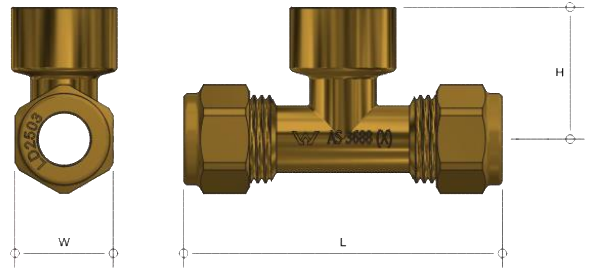
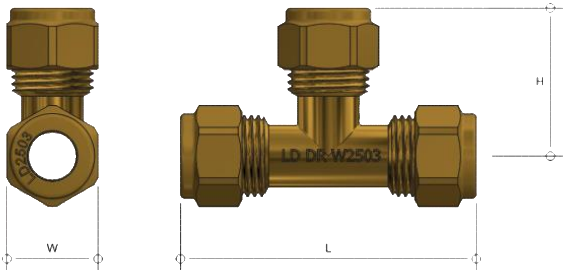


SPECIFICATIONS

#635 & #636
 Working temp 0 - 60°C
 Max pressure rating 1600kpa
 Material DR brass
 Tested & certified AS 3688
 Dimensions - mm 14 L x 27 H x 24 W (#635)
 20 L x 36 H x 32 W (#636)

SPECIFICATIONS

#639
 Working temp 1 - 95°C
 Max pressure rating 1600kpa
 Material DR brass
 Tested & certified AS 3688
 Dimensions - mm 35 L x 31 H x 31 W



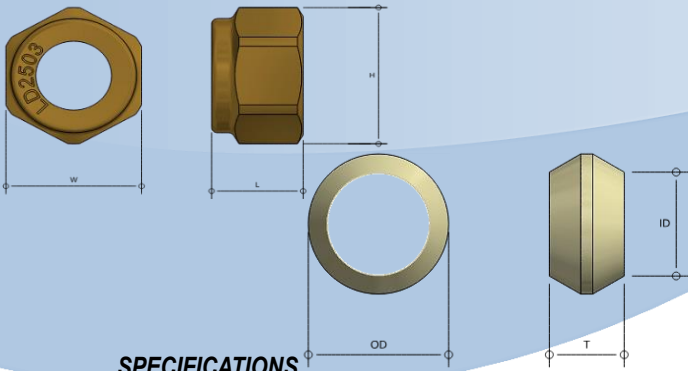
SPECIFICATIONS

#643
 Working temp 1 - 95°C
 Max pressure rating 1600kpa
 Material DR brass
 Tested & certified AS 3688
 Dimensions - mm 76 L x 38 H x 23 W

SPECIFICATIONS

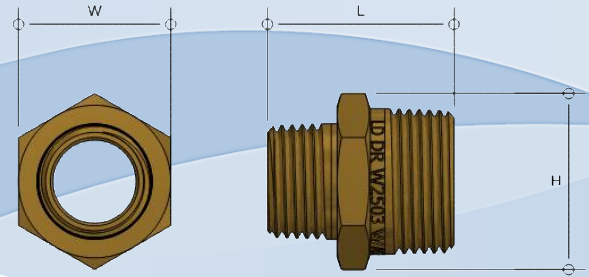
#644
 Working temp 1 - 95°C
 Max pressure rating 1600kpa
 Material DR brass
 Tested & certified AS 3688
 Dimensions - mm 76 L x 38 H x 23 W

BRASS FITTINGS



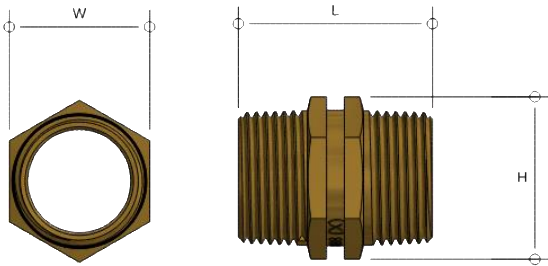
SPECIFICATIONS

#645 & #646
 Working temp 1 - 95°C
 Max pressure rating 1600kpa
 Material Brass (body)
 Nylon (olive)
 Tested & certified AS 3688
 Dimensions - mm
 16 L x 26 H x 23 W (#645)
 18 OD x 13 ID x 10 T (#645 olive)
 18 L x 33 H x 30 W (#646)
 23 OD x 19 ID x 12 T (#646 olive)



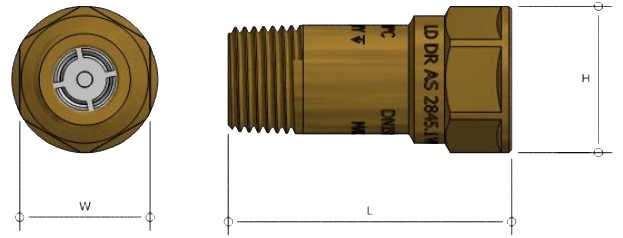
SPECIFICATIONS

#648, #649 & #651
 Working temp 1 - 60°C
 Max pressure rating 1600kpa
 Material DR brass
 Tested & certified AS 3688
 Dimensions - mm
 30 L x 25 H x 22 W (#648 & #649)
 34 L x 32 H x 28 W (#651)



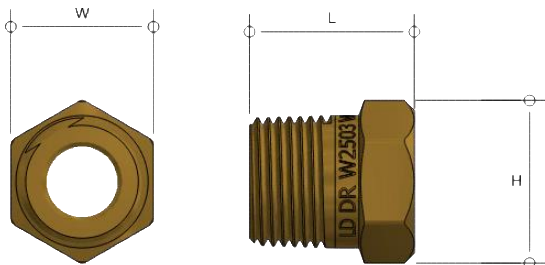
SPECIFICATIONS

#650 & #652
 Working temp 1 - 60°C
 Max pressure rating 1600kpa
 Material DR brass
 Tested & certified AS 3688
 Dimensions - mm
 34 L x 25 H x 22 W (#650)
 38 L x 28 H x 28 W (#652)



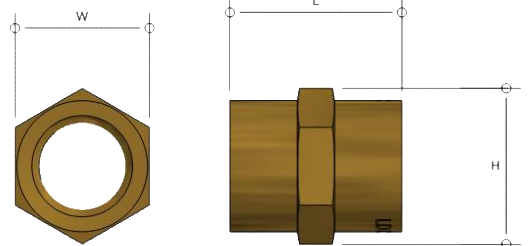
SPECIFICATIONS

#652/CV
 Max working temp 60°C
 Peak temp 110°C
 Max pressure rating 1200kpa
 Material DR brass (body)
 POM (check valve)
 S/Steel (sure clip & spring)
 EPDM (o-ring)
 Tested & certified AS/NZS 2845.1
 Dimensions - mm 58 L x 31 H x 33 W



SPECIFICATIONS

#653 & #654/B
 Working temp 1 - 60°C
 Max pressure rating 1600kpa
 Material DR brass
 Tested & certified AS 3688
 Dimensions - mm
 22 L x 31 H x 27 W (#653)
 20 L x 25 H x 22 W (#654/B)



SPECIFICATIONS

#655
 Working temp 1 - 95°C
 Max pressure rating 1600kpa
 Material DR brass
 Tested & certified AS 3688
 Dimensions - mm 28 L x 29 H x 26 W