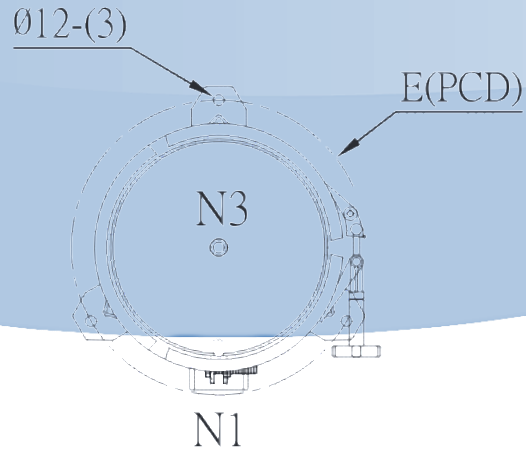


# SIZE 1 BAG VESSEL

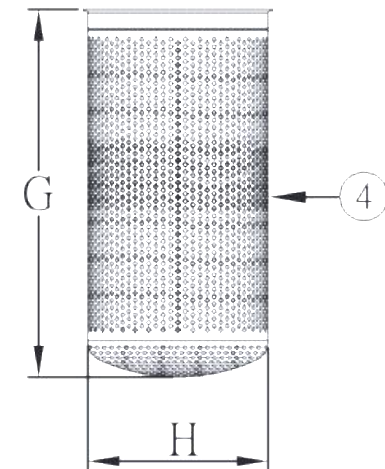
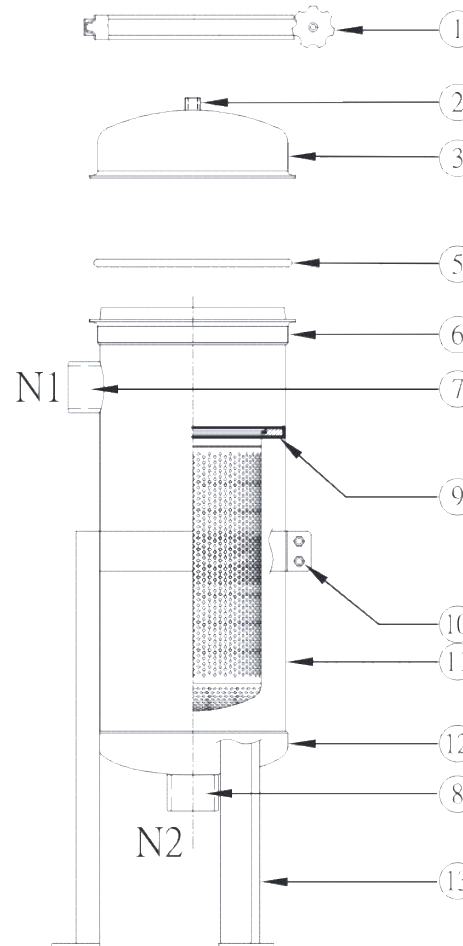
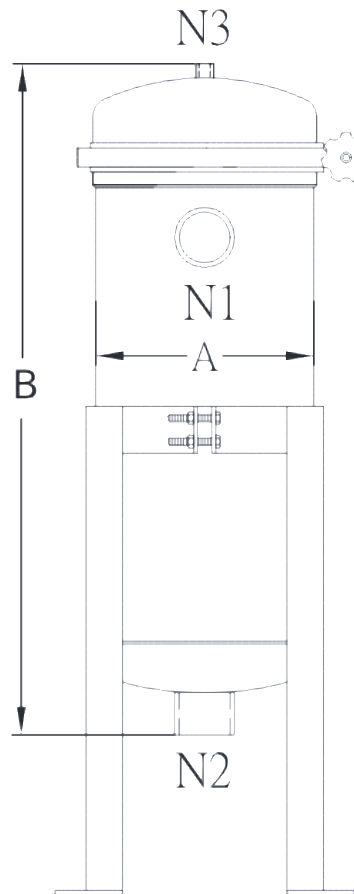


- N1 2" F NPT Inlet
- N2 2" F NPT Outlet
- N3 1/4" F NPT Vent

- A  $\varnothing 232$  mm
- B 715 mm
- E  $\varnothing 323$  mm
- G 350 mm
- H  $\varnothing 171.5$  mm

- 1 Clamp 316 S/Steel
- 2 Port Vent 316 S/Steel
- 3 Top Cover 316 S/Steel
- 4 Basket 316 S/Steel
- 5 O-Ring EPDM
- 6 Flange 316 S/Steel
- 7 Inlet 316 S/Steel
- 8 Outlet 316 S/Steel
- 9 Filter Bag Plate 316 S/Steel
- 10 Bolt 316 S/Steel
- 11 Shell 316 S/Steel
- 12 Bottom Cover 316 S/Steel
- 13 Leg Support 304 S/Steel

- Design pressure 10 kg
- Operation pressure 7 kg
- Design temperature 100°C
- Operation temperature 75°C
- Flow rate 90 gpm



Surface 316 S/Steel  
Material Electrolyze