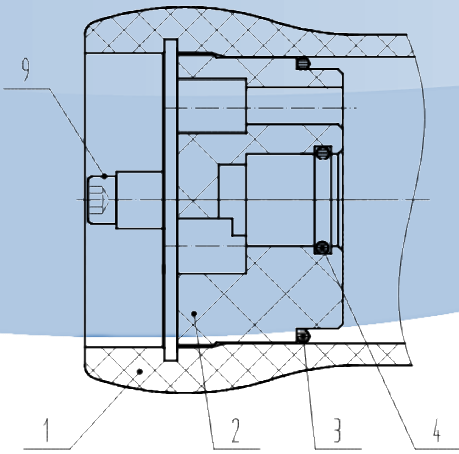
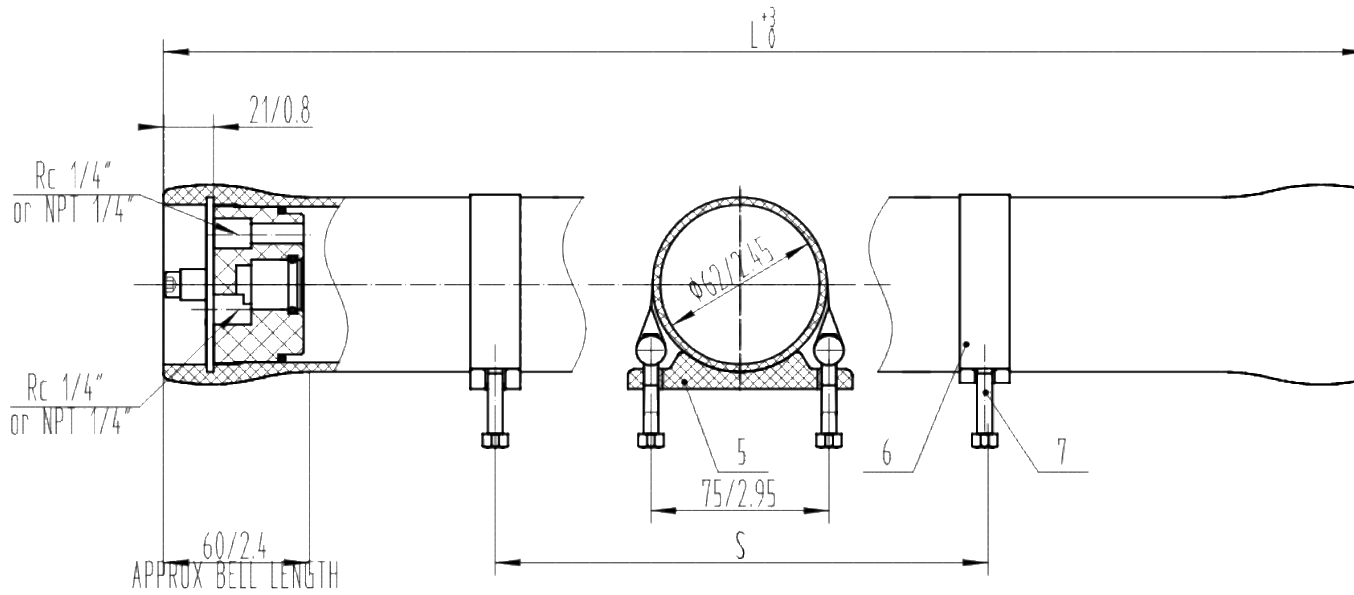
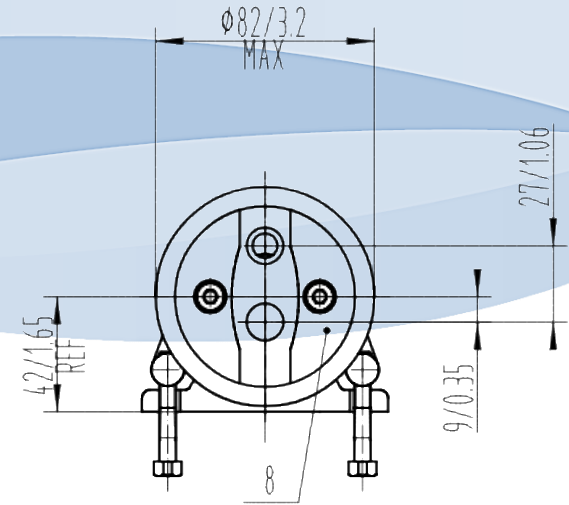


2540 FIBREGLASS HOUSING



NOTE

➤ Internal permeate pressure not to exceed 125 psi



1	2540 Shell	FRP
2	End plate	Engineering thermoplastic
3	O-Ring	EPDM
4	O-Ring	EPDM
5	Saddle	Rubber/PVC
6	Strap	304 S/Steel – Brass & Rubber
7	Strap Screw	304 S/Steel
8	Locking Crescent	304 S/Steel
9	Screw	304 S/Steel

2540 1088 mm (42.8") L 700 mm (27.6") 3kg

End plate ports 1/4" F NPT
 Design pressure 300 psi
 Design temperature 66°C
 Min allowable temp -10°C
 Working medium Water

PH 3 ~ 11