



10" x 2.5"

Manufactured from durable polypropylene, which has excellent chemical resistances, makes these housings ideal for use in residential, commercial and industrial applications.

Reinforced caps come with or without a PRV (pressure relief valve) and have pre-drilled holes for mounting brackets.

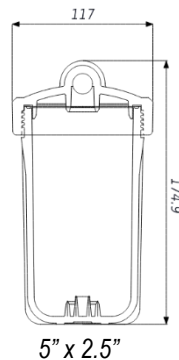
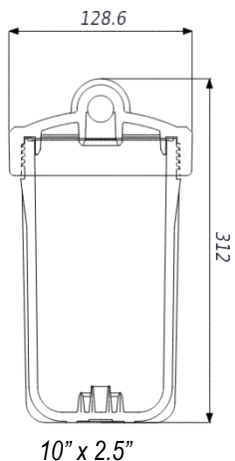
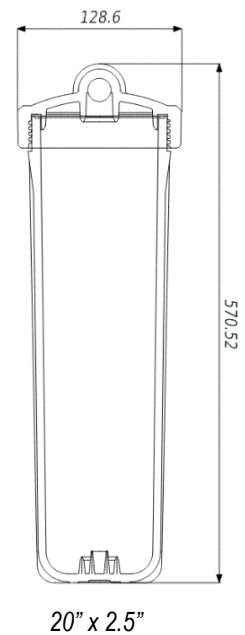
Available in white, blue and clear*.

*Clear housings are for gravity fed applications ONLY

HOUSINGS

SPECIFICATIONS

Lengths (inches)	5, 10 & 20 x 2.5
In/out (inches)	1/4, 1/2 and 3/4
Cap & Sump (Opaque)	PP (Polypropylene)
Cap & Sump (Clear)	PP (Polypropylene) & AS (Acrylonitrile-Styrene Copolymer)
O-ring	NBR (Nitrile Butadiene Rubber)
Max temperature	40°C
Max operating pressure	100 psi



WaterMark Component
(# 201 – 10" x 2.5" only)

FEATURES

- Made from durable polypropylene
 - Industry standard sizes
- For use in counter top, under sink and reverse osmosis filtration units.
- Commercial and industrial applications
 - Food and beverage contact safe

WARNING:

Do not use water that is microbiologically unsafe or of unknown quality without adequate disinfection.
Housings are not UV resistant. Install out of direct sunlight.
Thread tape ONLY to be used. Using sealants will void warranty

AQUA PRO

CrystalClear
PURIFICATION SYSTEMS PTY LTD

HOUSINGS



Stainless

Stainless steel housings provide heavy duty filtration for smaller filtration systems and POU (point of use) applications and are easy to install and maintain.

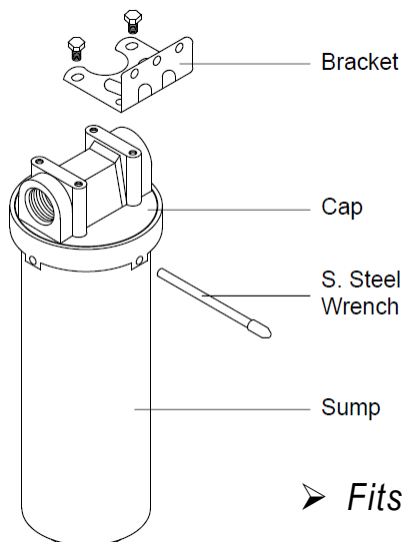
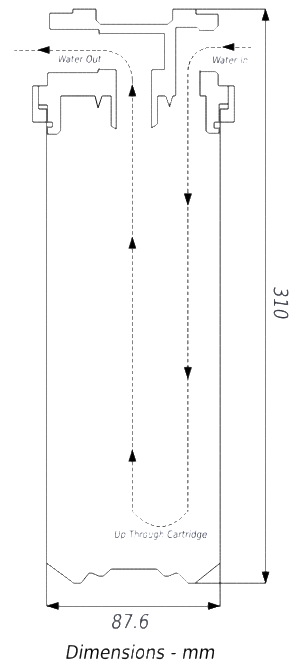
Manufactured from high grade 316 stainless steel, these housings are recommended for high pressure and hot water applications.

Comes with pressure relief valve, mounting bracket and opening key.

**** NOTE – Flow direction only one way**

SPECIFICATIONS

Lengths (inches)	10 x 2.5
In/out (inches)	3/4 & 1
Cap	Non Magnetic Stainless Steel 316
Sump	Stainless Steel 316
O-ring	NBR (Nitrile Butadiene Rubber)
Max temperature	125°C – NOT FOR EXTENDED PERIODS
Max operating pressure	250 psi



FEATURES

- Made from 316 stainless steel
- For use in hot water applications
- Fits industry standard size double open ended filters
- Food and beverage contact safe

WARNING:
Do not use water that is microbiologically unsafe or of unknown quality without adequate disinfection.

AQUAPRO

CrystalClear
PURIFICATION SYSTEMS PTY LTD

HOUSINGS

WC



Big Blue

Big Blue housings are good for large capacity filtration including high flow and heavy sediment applications. They allow for greater cartridge capacity reducing the number of vessels needed for high flow rate applications.

Manufactured from durable polypropylene, which have excellent chemical resistances, makes these housings ideal for use in residential, commercial and industrial applications.

Reinforced caps come with a PRV (pressure relief valve) and have pre-drilled holes for mounting brackets.

SPECIFICATIONS

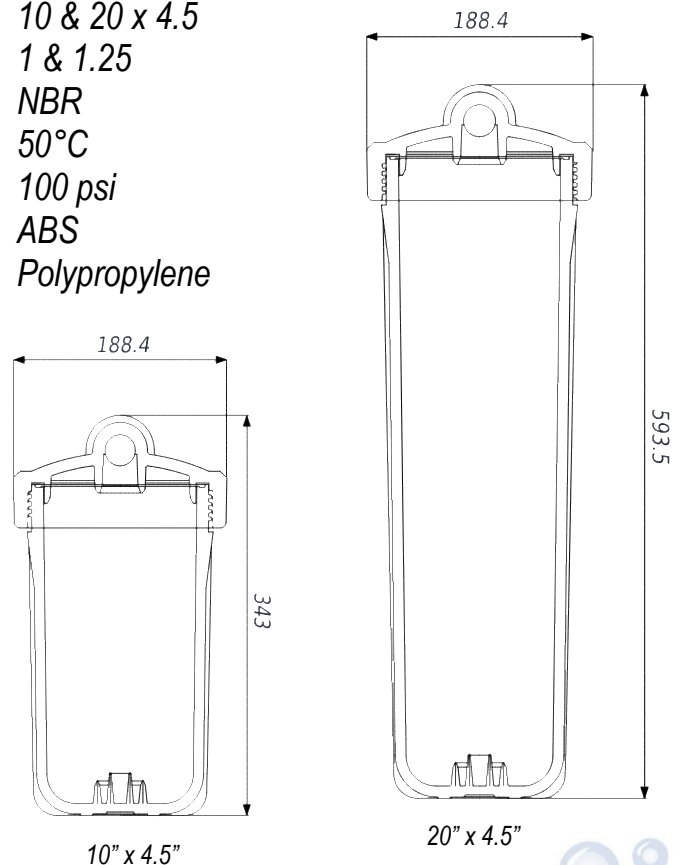
Lengths (inches)	10 & 20 x 4.5
In/out (inches)	1 & 1.25
O-ring	NBR
Max temperature	50°C
Max operating pressure	100 psi
Caps	ABS
Sump	Polypropylene

FEATURES

- Industry standard sizes
- For use in whole house systems
- Commercial and industrial applications
- Food and beverage contact safe
- NSF/ANSI 42



WaterMark Component
(# 242 – 20" x 4.5" only)



WARNING:
Do not use water that is microbiologically unsafe or of unknown quality without adequate disinfection.
Housings are not UV resistant. Install out of direct sunlight.
Thread tape ONLY to be used. Using sealants will void warranty.

AQUAPRO

CrystalClear
PURIFICATION SYSTEMS PTY LTD