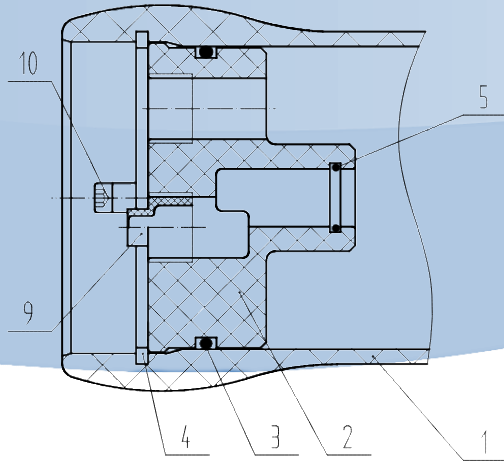
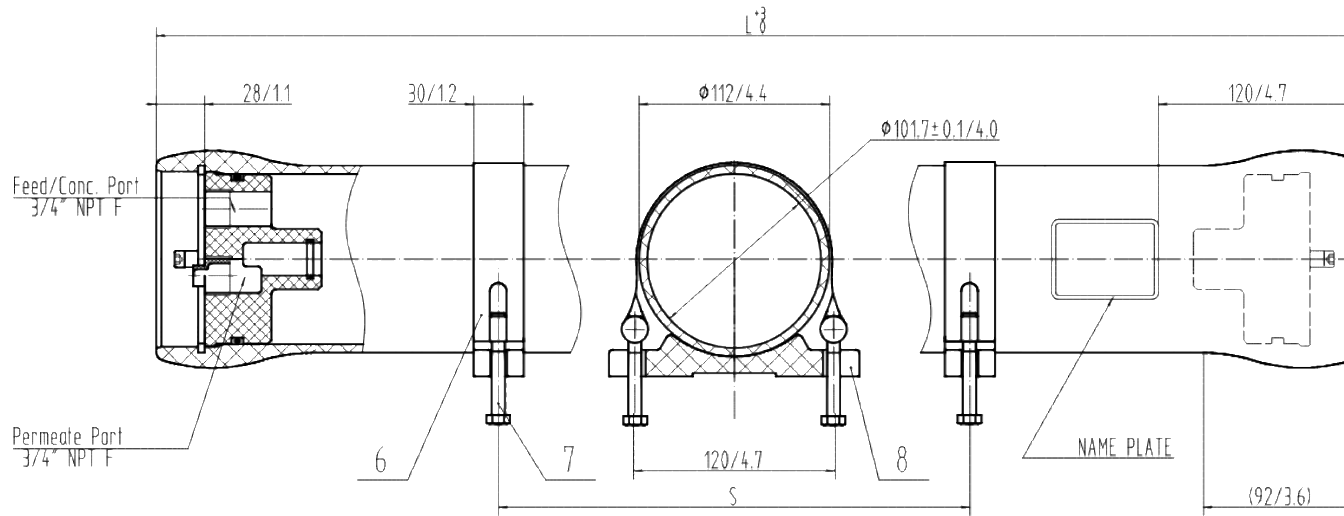
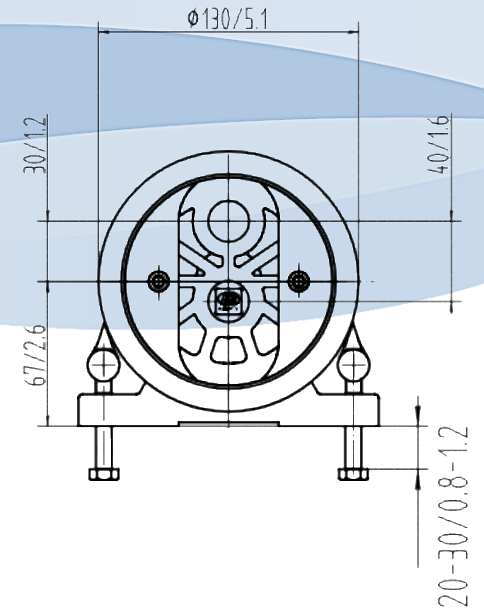


4040 FIBREGLASS HOUSING



NOTE

➤ Internal permeate pressure not to exceed 125 psi



1	4040 Shell	FRP
2	End plate	ABS
3	O-Ring	EPDM
4	Locking Crescent	304 S/Steel
5	O-Ring	EPDM
6	Strap	304 S/Steel
7	Strap Screw	304 S/Steel
8	Saddle	Rubber
9	Plug	ABS
10	Locking Crescent Screw	304 S/Steel

2540 1163 mm (45.8") L 1200 mm (47.2") 8 kg

End plate ports	3/4" F NPT	Plug	3/4" M NPT
Design pressure	300 psi		
Design temperature	66°C		
Min allowable temp	-10°C		
Working medium	Water	PH 3 ~ 11	