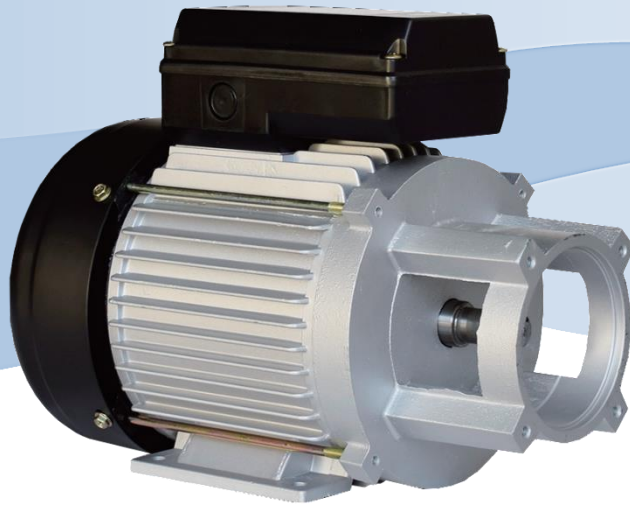


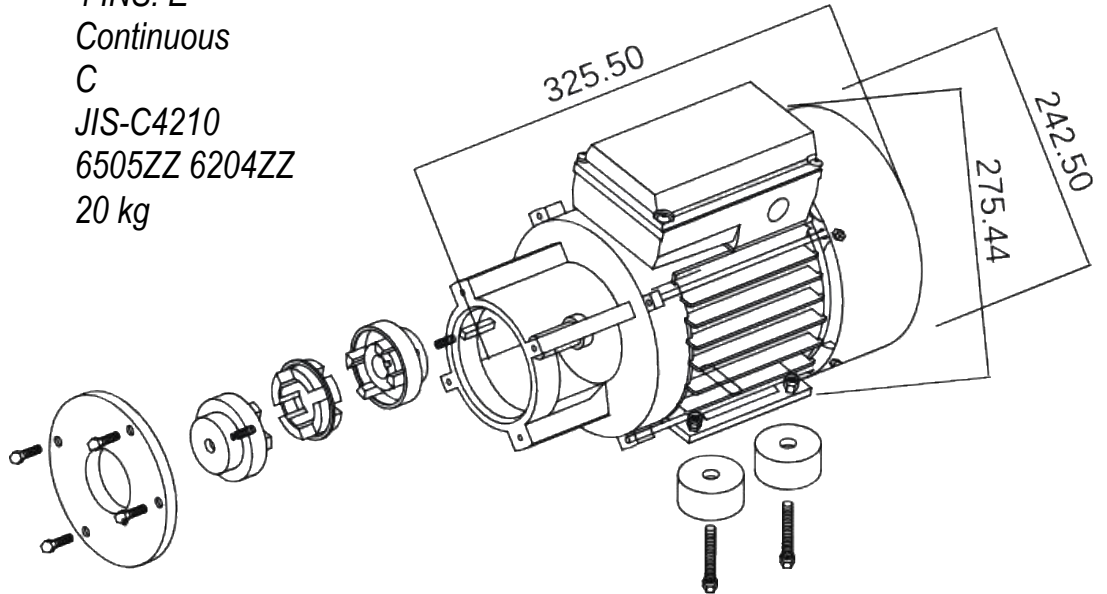
#964 MOTOR



SPECIFICATIONS

1 HP carbonator pump AC single phase motor

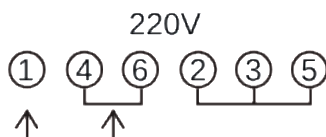
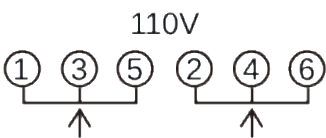
Type	M101A
Frame	80
Output	1 HP 0.75 KW
Poles	4 INS: E
Rating	Continuous
Rotor	C
Design	JIS-C4210
Bearing	6505ZZ 6204ZZ
Weight	20 kg



MATERIAL

Case Aluminum alloy

CONNECTIONS



ELECTRICAL DATA

Power

50 Hz	60 Hz
110V/220V	110V/220V
15A/8A	14A/7A
1450 rpm	1720 rpm