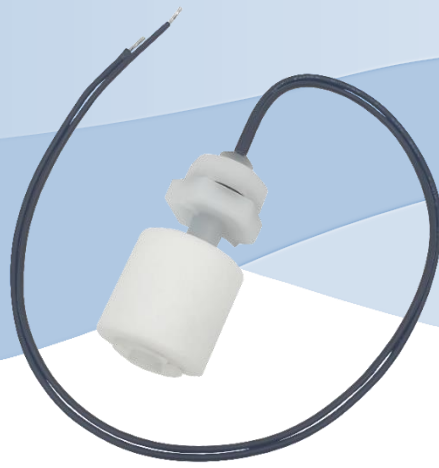


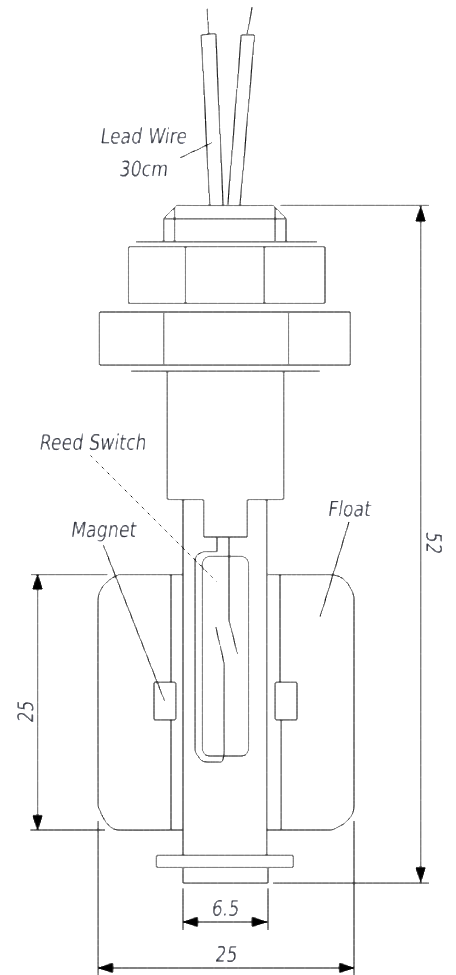
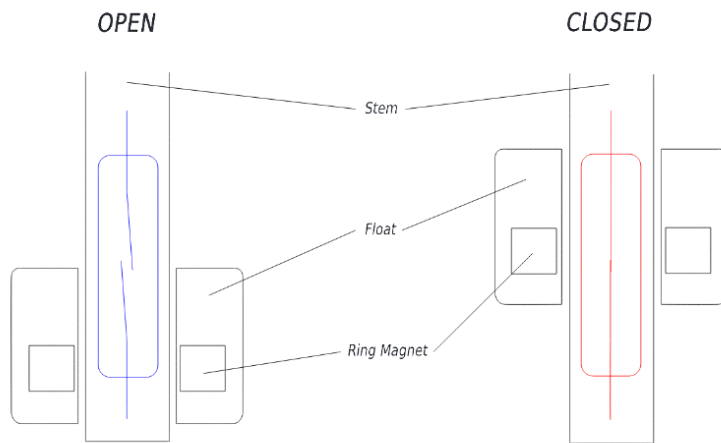
FLOAT SWITCH



Stem-mounted float switches use a magnet in a float that passes over the reed switch with the rising or falling action of the liquid, either opening or closing the switch.

The switch action may be reversed by removing the float, inverting it, then refitting it to the stem.

Can be mounted at either the top or bottom of the tank via a compression seal so does not require access to the inside of the tank for fitting.



Dimensions - mm

SPECIFICATIONS

Max Switching Capacity

SPST 10 W
(Single Pole Single Throw)

Max Switching Voltage

125V AC

Max Switching Current

0.5 A

Max Carry Current

1 A

Reversible Switch Action

Yes

Max Pressure

ATM

Operation Temperature

-20°C to 60°C

Suitable SG

0.8

Weight

12 g

Drill Hole

10 mm