

**500GPD INDUSTRIAL RO**  
**with ROC 2315 Digital Controller**  
**MANUAL**



## General Information

This manual is to ensure the safe use, performance and longevity of the equipment and is intended for use by properly trained technical personnel. Please read this manual thoroughly before installing the unit. Keep for future reference.

The manufacturer reserves the right to amend or modify without notice the specifications provided in this manual.



### **WARNING**

Installation and electrical connection must only be done by trained technicians and according to local standards.  
Touching live parts may result in serious injury.



### **WARNING**

Do not retighten/unscrew hoses while system is pressurised.  
The system start up must be carried out by properly trained technicians.



### **WARNING**

The RO system must be installed and maintained in accordance with this manual to ensure your system stays safe.  
Poorly maintained RO systems can be hazardous.

### **Please observe the following**

- It is important to ensure that the system is suitable for the raw water to be processed and that the system is suitable for the mineral content of the raw water.
- The system **must** be installed with the relevant pre-treatment to ensure the membrane does not get fouled or blocked.
- To ensure the system's pre-treatment is adequate, it is necessary to have the raw water analysed for mineral content.
- The installation site must be freely accessible with sufficient space for operation, maintenance and air circulation.
- The system is designed for operation in a frost-free and dry environment. Never outdoors.
- Do not install the system in exposed locations or locations with heavy dust loads.
- The system is designed for installation on a load-bearing floor.
- All systems must be installed with an inlet isolating valve.

**NOTE** – The performance of the system is dependent on the quality and temperature of the raw water and the following can only be taken as an initial guide. If your supplier has not provided you with an Analysis Report, request one before installing your system. This will provide you with the correct parameters of operation and will recommend the adequate pre-treatment to ensure the membranes do not foul or block prematurely.

# **Main System Components**

## **Filtration**

*The unit is fitted with a triple 20" x 2.5" housing system comprising of a 5mic sediment filter, a 10mic carbon block and a 1mic sediment filter.*

*These filters are designed to protect the pump and are not installed as a system pre-treatment. Changing the cartridges regularly will help prevent excessive blockage that could be detrimental to the system.*

## **Pump & Motor**

*The pump boosts the raw water supplied up to a level that allows good quality water production.*

## **Membrane Housings**

*These housings are pressure vessels that retain the membranes and must only be operated with the end caps or plugs properly installed.*

## **Membrane**

*TFC membrane material is NOT compatible with any Oxidisation Agents eg. Chlorine and has a very limited life with exposure. It is important that the agent is completely removed prior to entering the system.*

*Note the layout, positioning and flow direction of the housings and pipework.*

*Lubricate o-rings sparingly.*

**The membrane must be inserted into the housing the correct way. The membrane has an outer "V" brine seal at one end and must be located at the "FEED IN" end, where the water enters the housing.**

## **Inlet Solenoid Valve**

*This valves function is to automatically close off the water supply to the system when the system stops.*

## **Pressure Regulator (Needle Valve)**

*The main function of this valve is to control the concentrate flow from the membranes to maintain the correct operating pressure of the system, and in conjunction with the recycle valve, the overall recovery of the system.*

**NEVER OPERATE THE SYSTEM WITH A FULLY CLOSED VALVE**

## **Recycle Valve (Needle Valve)**

*The main function of this valve is to control the portion of the concentrate flow back into the booster pump suction to enable a higher overall recovery of the system and correct system operating pressure.*

**NEVER OPERATE THE SYSTEM WITH A FULLY CLOSED VALVE \*unless the design is based on "No Recycle"\***

**CAUTION: DO NOT run the system with the valves completely closed off as irrecoverable membrane or system damage could result**

Flush Solenoid Valve

Enables a higher volume of water across the membrane surface to extend the time required between chemical cleans or membrane replacement.

Automatic timer action controlled – in that the system can be programmed to flush at initial start, at tank full and also at selected time spans. Flush timer can be varied in the controller programming.

Manual flushing can be selected by controller. – Manual should only be selected for no longer than 90 seconds.

Flow Meter

These meters indicate the Permeate (Product), Concentrate (Waste) and Recycle flow rates.

Pressure Gauges

Used to monitor the operating conditions of the membrane array and facilitate the adjustment of the recycle and pressure regulator and pump control valves.

Low Pressure Switch

Monitors inlet water pressure and is a safety device that, in conjunction with the digital controller shuts down the system in the event of low feed water pressure.

They system requires an inlet pressure of at least 280 kpa (40 psi) and a maximum of 640 kpa (90 psi). Fit a PRV if the pressure exceeds 640 kpa.

The low pressure switch shuts the system down if the inlet pressure drops below 40 psi and will automatically reset.

The range and differential is adjustable on the switch. Please speak to your supplier before adjusting the switch.

Recycle Non Return Valve

Prevents raw water entering the recycle loop.

NOTE – If this non return valve is not sealing correctly, inlet water will run to waste through this valve when the RO unit is operating.

ROC -2315 Digital Controller

Refer to manual included with unit

## **Installation & Start Up**

- Check the condition of the unit after unpacking and check that no electrical components have come loose in the control cabinet during transportation.
- Influent water temperature should be no higher than 30°C
- Electrical supply required will be 10 amp.

### **Start Up**

Ensure that all service connections are secure and all supply parameters comply.

Ensure that the pressure regulator is fully OPEN.

Ensure that the recycle control valve is fully OPEN.

Ensure that electric power is available.

Ensure that adequate water supply is available.

Open system isolating valve.

Vent the three cartridge filter housings by depressing the red buttons on top of the filter housing head.

Check that there is sufficient pressure registered on the inlet gauge.

Turn system on and check pump operation.

Once flushing is complete, adjust the pressure regulator valve as required and recycle valve together.

- It will be necessary to continually readjust the pressure regulator and recycle valves and the system isolation valve to achieve the desired flow rates. (Note: the flow rate is very dependent on temperature and operating pressure.) Higher temperature will allow a greater flow and mineral passage through the membrane and the system operating pressure should be reduced accordingly. (Note: new membranes may produce in excess of the nominated rate but will compact in time with a reduced flow rate and it may be necessary to periodically adjust the valves.)
- It is advisable to not run the system so as to produce more than the nominated product permeate flow rate as excess flow will only shorten the membrane life and could scale up the membranes.

★ Minimum concentrate flow – 3.8 lpm C + R Typical @ 50% recovery

- **IMPORTANT:** If the system continually starts/stops under the control of the low pressure switch then the system has insufficient feed water pressure or the supply pipe does not have enough flow/capability to satisfy the Low Pressure Switch during the flushing cycle.

## **Maintenance**

*Reverse osmosis membranes will have to be replaced on a regular basis. Membrane life is determined by the quality of the feed water and the recovery. Oxidisation agents like chlorine will destroy the structure of the membrane material layer.*

*The membranes can be fouled with particle matter and microbiological contaminants and can be scaled by precipitating salts.*

*It is advisable to only operate the plant at the lowest possible pressure to obtain the desired flow production and to ensure that all pre-treatment is operating satisfactory.*

- *Dependant on water quality, the membranes may need to be replaced or chemically cleaned every 6 months or whenever performance diminishes as set out above. Under good conditions they can last over 3 years.*
- *It is important to change the filter cartridges at least every 3-6 months or whenever the pressure drop across the filters increases to an extent that the flow is restricted.*
- *Additional pre-treatment should be serviced in accordance with the manufactures recommendations.*
- *It is recommended to log the operational data of the system on a regular basis and monitor the performance of the system.*

# Troubleshooting

## *PUMP WILL NOT START*

- *Check controller – LOW PRESS LIGHT*
  - *Insufficient water pressure*
    - *Check feed supply*
    - *Check pre filtration*
    - *Check inlet valve is open*
    - *Check settings on low pressure switch*
- *Check controller – TANK LIGHT*
  - *Permeate tank full*
    - *If no permeate tank connected, check wiring in control box*
- *Check controller – FLUSH VALVE LIGHT*
  - *Unit flushing*
    - *Wait for flush cycle to complete*

## *UNIT WILL NOT START*

- *Check power supply*
- *Check circuit breaker*
- *Overload tripped*
- *Pump motor high temp*
  - *Allow to cool*

## *PUMP STARTS BUT WATER OUTLET PRESSURE LOW*

- *Pressure regulator valve fully open*
  - *Close valve according to analysis report*
- *Inspect pump*
- *Brine seal bypass*
  - *Remove and reseal*
  - *If damaged, replace*
- *Brine seal installed incorrectly*
  - *Install correctly – see flow chart page 9*
- *Flush valve is open*
  - *Close valve*

## *PUMP STARTS BUT TRIPS*

- *Motor overload*
  - *Check overload setting*
  - *220V motors require higher setting than nameplate rating 12-13 Amp*

# Troubleshooting

## **PUMP STOPS AND STARTS**

- *Check feed pressure*
  - *Check feed pressure when unit is off, flushing and when pump starts*
  - *If pressure drops below 40 psi, check water supply and pre treatment*
  - *If pressure does not drop below 40 psi, check low pressure switch settings*

## **EXCESSIVE MEMBRANE PRESSURE**

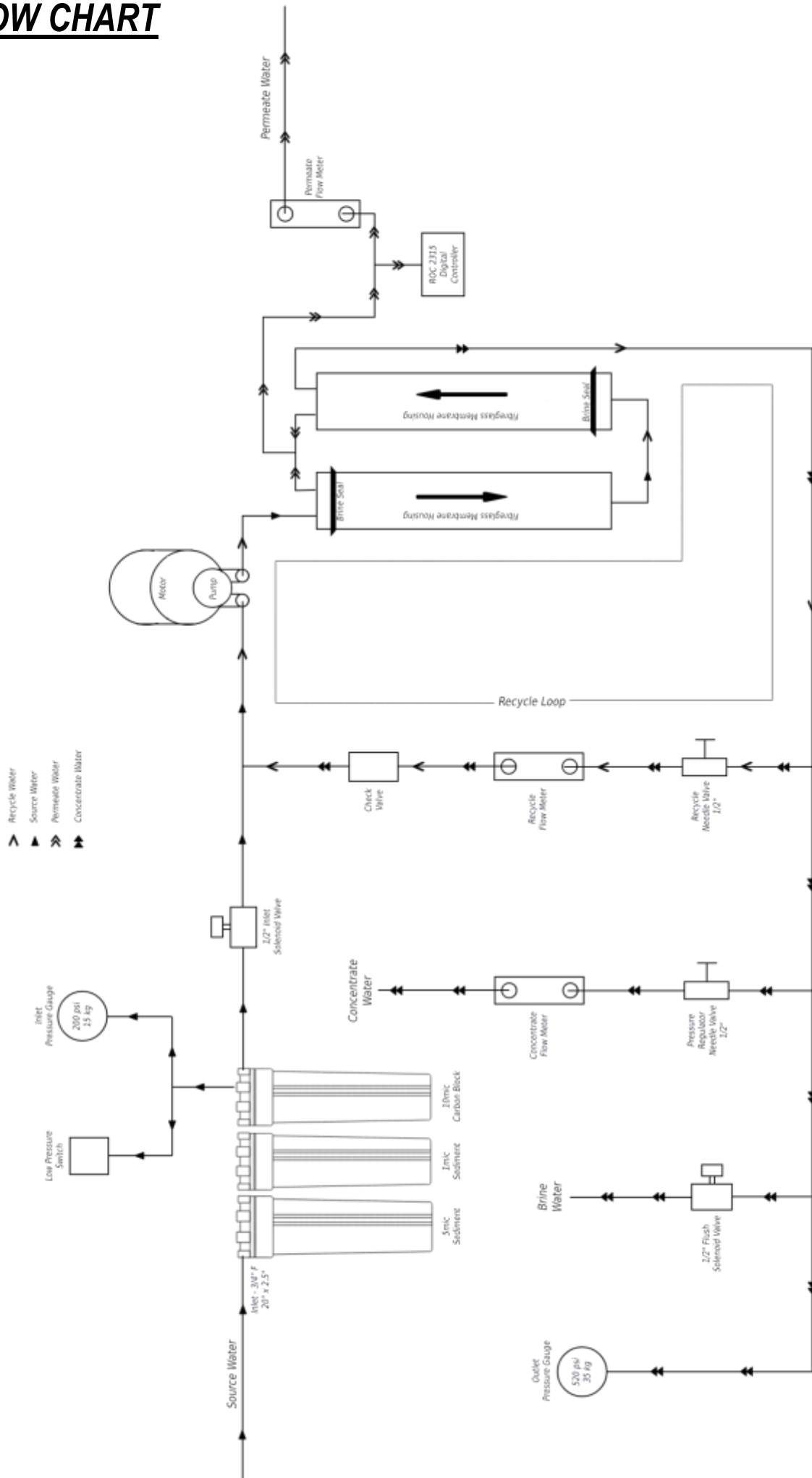
- *Pressure regulator valve closed*
  - *Open valve*
- *Membrane(s) fouled*
  - *Replace or clean membranes*

## **PERMEATE WATER QUALITY POOR**

- *Membrane at end of life*
  - *Replace membrane*
- *Brine seal bypass*
  - *Remove and reseal*
  - *If damaged, replace*
- *Brine seal installed incorrectly*
  - *Install correctly – see flow chart page 9*
- *Membrane perforated by chlorine attack*
  - *Replace membrane*



# FLOW CHART



# **MOTOR**

Model #5KH36MNA445X

## **Nameplate Specifications**

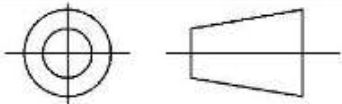
Output HP	<b>1/2 Hp</b>	Output KW	<b>0.37kW</b>
Frequency	<b>60 Hz</b>	Voltage	<b>100-120/200-240 V</b>
Current	<b>7.1-7.2,3.4-3.6 A</b>	Speed	<b>1725/1425 rpm</b>
Service Factor	<b>1</b>	Phase	<b>1</b>
Efficiency	<b>63.3 %</b>	Duty	<b>Continuous</b>
Insulation Class	<b>B</b>	KVA Code	<b>N</b>
Frame	<b>48Y</b>	Enclosure	<b>Drip Proof</b>
Overload Protector	<b>AUTO</b>	Ambient Temperature	<b>40 °C</b>
Drive End Bearing Size	<b>6203</b>	Opp Drive End Bearing Size	<b>6203</b>
UL	<b>Recognized</b>	CSA	<b>Yes</b>
CE	<b>N</b>		



## **Technical Specifications**

Electrical Type	<b>Split Phase</b>	Starting Method	<b>SM</b>
Poles	<b>4</b>	Rotation	<b>Counterclockwise/Clockwise</b>
Mounting	<b>Resilient</b>	Motor Orientation	<b>ANY</b>
Drive End Bearing	<b>BALL</b>	Opp Drive End Bearing	<b>BALL</b>
Frame Material	<b>Rolled Steel</b>	Overall Length	<b>8.75"</b>
Frame Length	<b>6.22"</b>	Shaft Diameter	<b>0.63"</b>
Shaft Extension	<b>0.17"</b>		
Outline Drawing	<b>52A111834P1</b>	Connection Diagram	<b>52A105383AA</b>

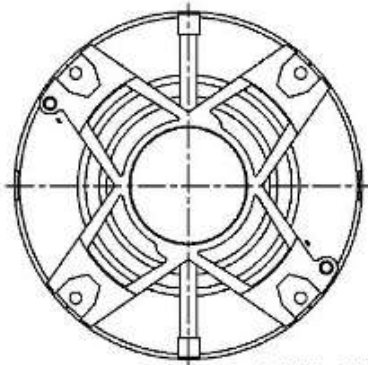
THIRD ANGLE PROJECTION



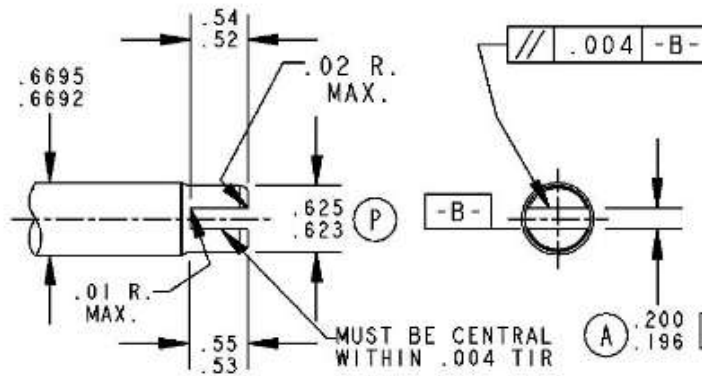
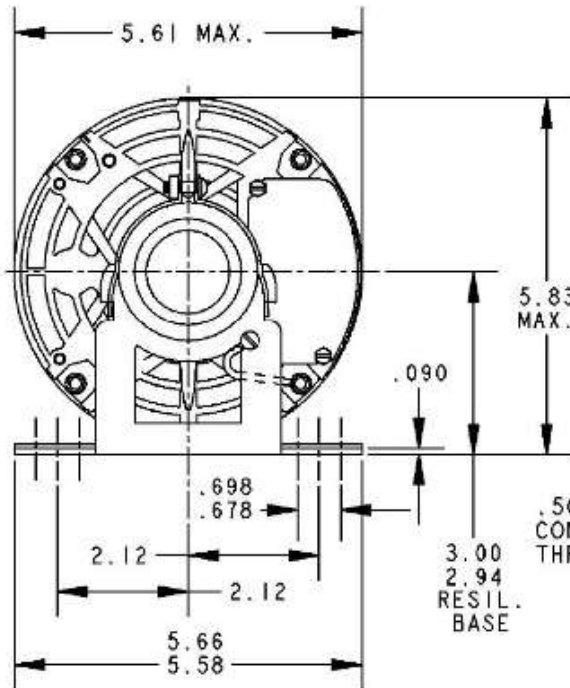
REVISIONS

REV.	DESCRIPTION	DATE	APPROVED
1	ADDED PART# 2 PER IS07-2678	01/28/08	BOMMU

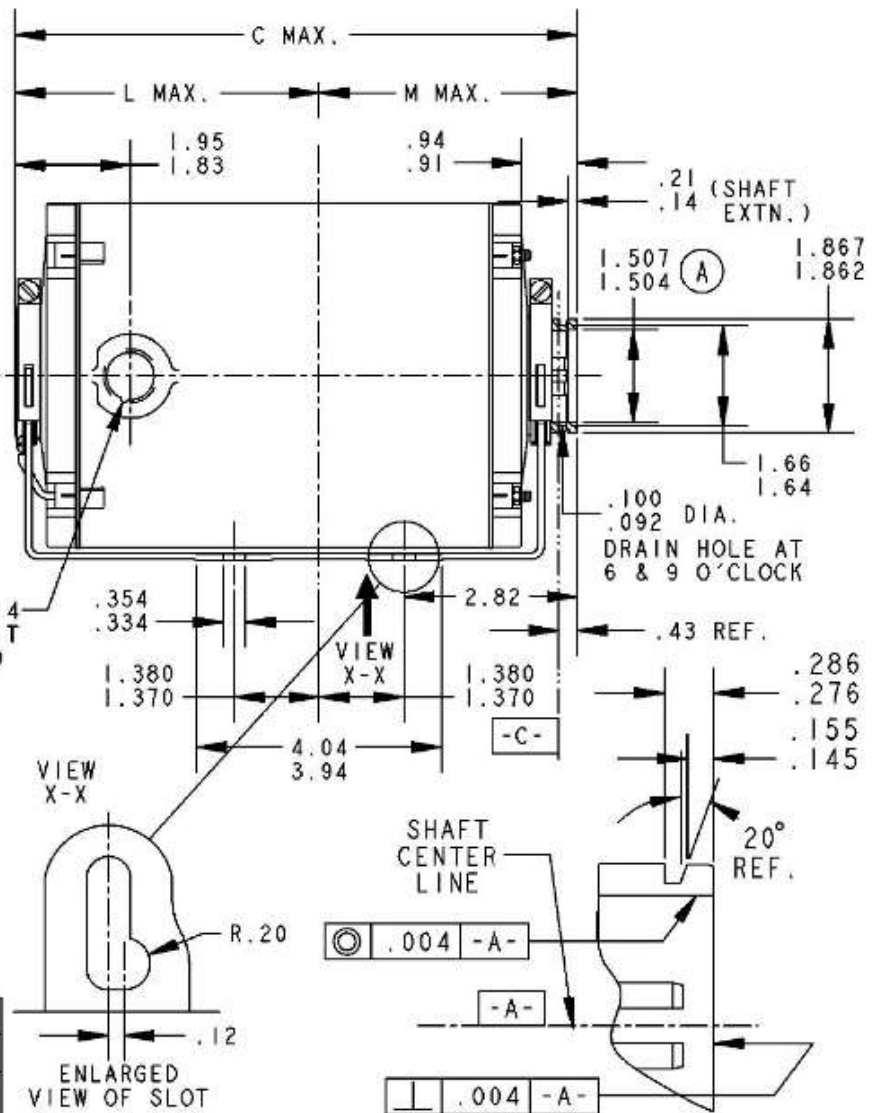
CONTROL SURFACES & DIMENSIONS  
 (P) PROC.  
 (E) ENG.  
 (A) APPL.  
 (R) REG.



VIEW SHOWING P.E. VENTILATION OPENINGS



MUST BE CENTRAL WITHIN .004 TIR



2	KH	37	48Y	9.15	5.01	4.28
1	KH	36	48Y	8.75	4.61	4.28
P	TYPE	RBC SIZE	NEMA FR	C	L	M

SIGNATURES		DATE
MODEL	VINAY	12/10/07
DETAIL		
CHECKED		
ENGRG		
MFG		
FOR ADDITIONAL INFO REFER TO:		
APPLIED PRACTICES		
DIMENSIONS ARE IN INCHES		
QUALITY		
ISSUED	VINAY	12/10/07
MATERIAL	SOLID MODEL: 52A111834	

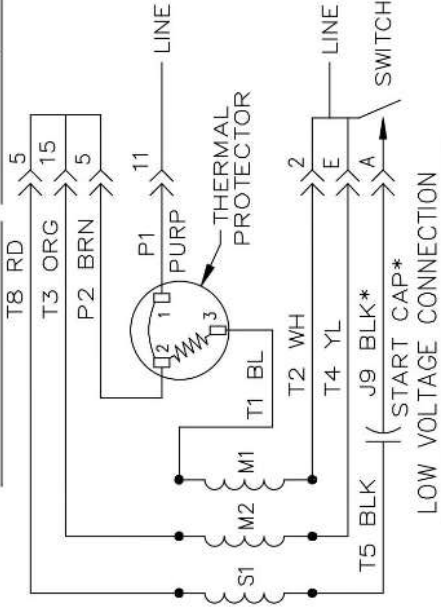


REGAL-BELOIT CORPORATION

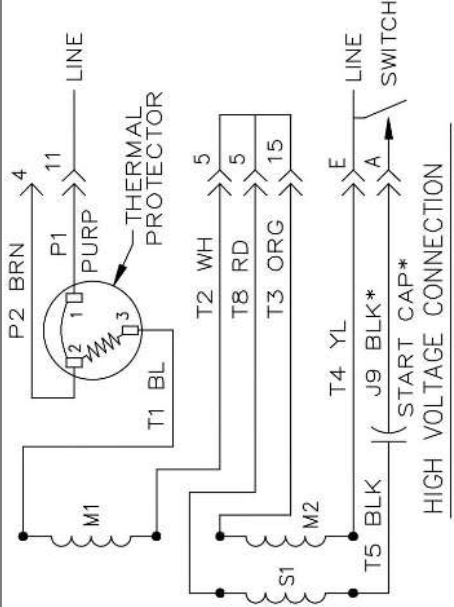
TITLE	
<b>OUTLINE</b>	
<b>CARBONATOR PUMP - DRIP PROOF</b>	
<b>RESIL. BASE - BALL BRG.</b>	
SIZE DRAWING	REV
A	1
SCALE: 1.000	REF. No: .
SHEET 1 of 1	

52A111834

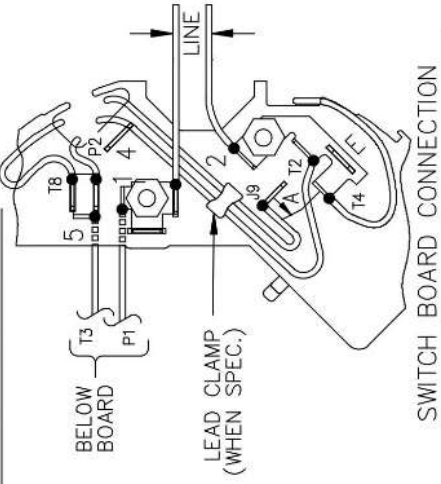
EITHER ROTATION, DUAL VOLTAGE, TYPE KC OR KH, WITH THERMAL PROTECTION



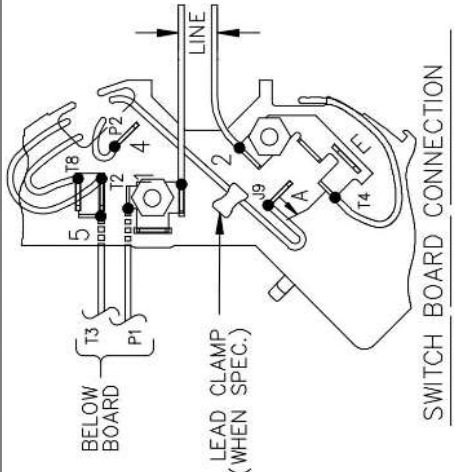
LOW VOLTAGE CONNECTION



HIGH VOLTAGE CONNECTION



SWITCH BOARD CONNECTION



SWITCH BOARD CONNECTION

NOTE #1 - START CAP & J9 WHEN SPECIFIED (\*). IF NO CAPACITOR (KH), CONNECT T5 DIRECTLY TO SWITCH (A). WHEN MORE THAN ONE CAPACITOR IS USED, CONNECT IN PARALLEL.

NOTE #2 - TO REVERSE ROTATION, INTER CHANGE RD(T8) AND BLK(J9-KC OR T5-KH) LEADS.

SWITCH REF. - 115D958AB	CONNECTION LABEL
	CCW ROTATION: NP52X332051AA
	CW ROTATION: NP52X332051AC

		DRAWN	M.D.P	06/29/87
		CHK		
CONNECTION DIAGRAM 30 FRAME SWITCH REDESIGN		APPD	M.D.P	03/26/96
		SCALE		1=1
TITLE CONNECTION DIAGRAM 30 FRAME SWITCH REDESIGN		REF		
		FMF		
FINISH MAT'L.		PREV		
		CAD FILE		52A105383AA
BY & DATE RFP		SIZE		A
		DRAWING NO.		52A105383AA
THIS DRAWING IN DESIGN AND DETAIL IS OUR PROPERTY AND MUST NOT BE USED EXCEPT IN CONNECTION WITH OUR WORK. ALL RIGHTS OF DESIGN AND INVENTION ARE RESERVED. THIS IS AN ELECTRONICALLY GENERATED DOCUMENT - DO NOT SCALE THIS PRINT		REV.		5

# **PUMP**

Procon 112A125F11XX Series 2, 125 GPH, Clamp mount

## **Description**

The Procon 112A125F11XX pump is a rotary vane style pump made from brass. This low vibration pump has a 125 GPH maximum flow rate, 3/8" inlet and outlet ports, and 250 PSI maximum discharge pressure.

Procon Series 2 pumps are self-priming, designed to avoid metal-to-metal contact, and are almost entirely maintenance-free throughout their lives (other than cleaning the strainer). This pump meets NSF requirements and can be used for food and drink applications.

## **Technical Specifications**

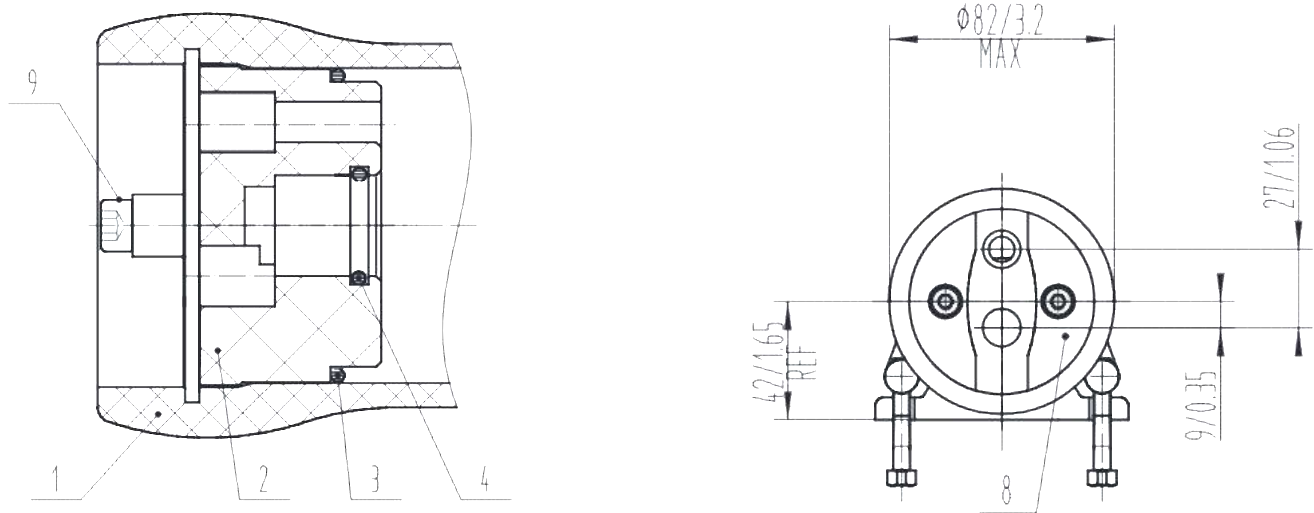
Inlet/Outlet Port	3/8" NPT
Max PSI	250
RPM	1725
Max GPM	2.08
Dimensions	3.56" x 3.49" x 3.86"

## **Specifications**

- 125 GPH flow rate
- 250 PSI maximum discharge pressure
- Clockwise rotation (view from nameplate end)
- Self priming (water) 6' maximum lift
- Meets NSF standards
- Clamp-on mounting
- FDA grade nitrile elastomer
- Standard clearance
- 303 grade stainless steel shaft
- No relief valve
- No setting

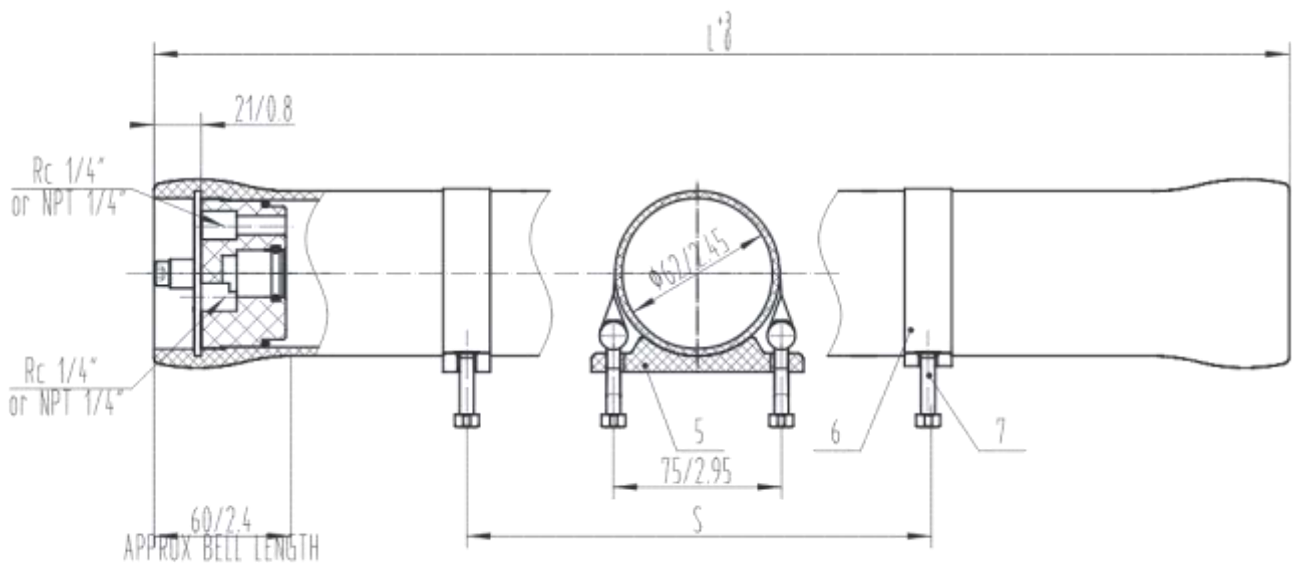


# MEMBRANE HOUSINGS



## NOTE

- Internal permeate pressure not to exceed 125 psi



1	2521 Shell	FRP				
2	End plate	Engineering thermoplastic	2521	605 mm (23.8") L	400 mm (15.7")	2.5 kg
3	O-Ring	EPDM				
4	O-Ring	EPDM	End plate ports	1/4" F NPT		
5	Saddle	Rubber/PVC	Design pressure	300 psi		
6	Strap	304 S/Steel – Brass & Rubber	Design temperature	66°C		
7	Strap Screw	304 S/Steel	Min allowable temp	-10°C		
8	Locking Crescent	304 S/Steel	Working medium	Water	PH 3 ~ 11	
9	Screw	304 S/Steel				

## General Information

**We recommend that only qualified mechanics, experienced in servicing high pressure systems, open, close and service this vessel.**

*Proper vessel handling and installation are important for safe use and long vessel life. Improper assembly, misuse or corrosion damage can result in mechanical failure, property damage and injury.*

*These membrane housings are designed for continuous, long-term use as housings for reverse osmosis membrane elements. The filament wound FRP shell is composed of continuous fibreglass impregnated with heated epoxy resin. Cleaning agents must be wiped off and cleaned from the vessel after cleaning.*

*All decisions as to the suitability for use must include full consideration of the various safety aspects involved. These include, but are not limited to:*

- *Process fluid compatibility (eg. chemical and temperature considerations).*
- *External environment factors (eg. corrosive atmosphere, remote or special environments where plastics might be undersirable etc).*
- *Abnormal back pressure which might result in pressurising permeate port above 125 psi.*
- *Capability of the user to maintain vessel properly.*

## Vessel & Accessory Maintenance

*Plastic components – Check for cracks, dents or uneven colour.*

*Metal components – Check for any corrosion, scratches, dents, cracks or other damage.*

*Other components – Check for any damage that may affect the stress performance and sealing performance.*

### **Cleaning the vessel**

*Remove the debris inside the baffle groove with a brush or any other tool.*

*First 100mm of vessel inside surface should be cleaned with a cloth and soap solution.*

*Wash away the residue and soap solution inside the vessel with water.*

*Check for any defects such as scratches, dents or leakage caused by damage in the sealing surface.*

### **Maintenance of other components**

*Replace any seriously damaged or defective components.*

**WARNING – Corrupted components may cause serious injury**



### SPECIFICATIONS:

<b>General Features</b>	<b>Permeate flow rate:</b>	400 GPD (1.5 m <sup>3</sup> /day)
	<b>Nominal salt rejection:</b>	99.5%
	<b>Effective membrane area:</b>	12 ft <sup>2</sup> (1.1 m <sup>2</sup> )

1. The stated product performance is based on data taken after 30 minutes of operation at the following test conditions:

5

- 2,000 mg/L NaCl solution at 225 psig (1.55 MPa) applied pressure
- 8% recovery
- 77 °F (25 °C)
- pH 6.5–7.0

2. Minimum salt rejection is 99.0%.

3. Permeate flow rate for each element may vary +25 / -25%.

4. All elements are vacuum sealed in a polyethylene bag containing 1.0% SBS (sodium bisulfite) solution and individually packaged in a cardboard box.

<b>Membrane type:</b>	Thin-Film Composite
<b>Membrane material:</b>	Polyamide (PA)
<b>Element configuration:</b>	Spiral-Wound, FRP Wrapping

### Dimensions

Model Name	A	B	C	D / E	Part Number	
					Inter-connector	Brine Seal
<b>RE2521-BE</b>	21.0 inch (533.4 mm)	2.4 inch (60.8 mm)	0.75 inch (19.1 mm)	1.1 inch (28.0 mm)	SWA01050	SWA01047



1. Each membrane element supplied with one brine seal, one interconnector (coupler) and four o-rings.
2. All RE2521 elements fit nominal 2.5 inch (63.5 mm) I.D. pressure vessels.

The information provided in this document is solely for informative purposes. It is the user's responsibility to ensure the appropriate usage of this product. Toray Chemical Korea Inc. assumes no obligation, liability or damages incurred for the misuse of the product or for the information provided in this document. This document does not express or implies any warranty as to the merchantability or fitness of the product.

### Toray Chemical Korea Inc.

For more information on our products, company and regional contacts, please visit our website at [www.csmfilter.com](http://www.csmfilter.com).

Product Specification Sheet / Model RE2521-BE

Page 1 of 2

Rev.3.1 December 2017



# RE2521- BE

High productivity RO element with extended area for brackish water



## APPLICATION DATA:

### Operating Limits

• Max. Pressure Drop / Element	15 psi (0.1 MPa)
• Max. Pressure Drop / 240" Vessel	60 psi (0.41 MPa)
• Max. Operating Pressure	600 psi (4.14 MPa)
• Max. Feed Flow Rate	6 gpm (1.36 m <sup>3</sup> /hr)
• Min. Concentrate Flow Rate	1 gpm (0.23 m <sup>3</sup> /hr)
• Max. Operating Temperature	113 °F (45 °C)
• Operating pH Range	2.0–11.0
• CIP pH Range	1.0–13.0
• Max. Turbidity	1.0 NTU
• Max. SDI (15 min)	5.0
• Max. Chlorine Concentration	< 0.05 mg/L

### Design Guidelines for Various Water Sources

• Wastewater Conventional (SDI < 5)	8–12 gfd
• Wastewater Pretreated by UF/MF (SDI < 3)	10–14 gfd
• Seawater, Open Intake (SDI < 5)	7–10 gfd
• Seawater, Beach Well (SDI < 3)	8–12 gfd
• Surface Water (SDI < 5)	12–16 gfd
• Surface Water (SDI < 3)	13–17 gfd
• Well water (SDI < 3)	13–17 gfd
• RO permeate (SDI < 1)	21–30 gfd

### Saturation Limits (Using Antiscalants)<sup>†</sup>

• Langlier Saturation Index (LSI)	<+1.5
• Stiff and Davis Saturation Index (SDSI)	<+0.5
• CaSO <sub>4</sub>	230% saturation
• SrSO <sub>4</sub>	800% saturation
• BaSO <sub>4</sub>	6,000% saturation
• SiO <sub>2</sub>	100% saturation

<sup>†</sup>The above saturation limits are typically accepted by proprietary antiscalant manufacturers. It is the user's responsibility to ensure proper chemical(s) and concentration are dosed ahead of the membrane system to prevent scale formation anywhere within the membrane system. Membrane elements fouled or damaged due to scale formation are not covered by the limited warranty.

## GENERAL HANDLING PROCEDURES

- Elements contained in the boxes must be kept dry at room temperature (7–32°C; 40–95°F) and should not be stored in direct sunlight. If the polyethylene bag is damaged, a new preservative solution (sodium bisulfite) must be added and air-tight sealed to prevent drying and biological growth.
- Permeate from the first hour of operation should be discarded to flush out the preservative solution.
- Elements should be immersed in a preservative solution during storage, shipping and system shutdowns to prevent biological growth and freezing. The standard storage solution contains 1% by weight sodium bisulfite or sodium metabisulfite (food grade). For short term storage (i.e. one week or less) 1% by weight sodium metabisulfite solution is adequate for preventing biological growth.
- Keep elements moist at all times after initial wetting.
- Avoid excessive pressure and flow spikes.
- Only use chemicals compatible with the membrane elements and components. Use of such chemicals may void the element limited warranty.
- Permeate pressure must always be equal or less than the feed/concentrate pressure. Damage caused by permeate back pressure voids the element limited warranty.

## Toray Chemical Korea Inc.

For more information on our products, company and regional contacts, please visit our website at [www.csmfilter.com](http://www.csmfilter.com).

Product Specification Sheet / Model RE2521-BE

Page 2 of 2

Rev.3.1 December 2017

## Replacing the Membrane

**WARNING** – ***Make sure to release the pressure in the vessel prior to opening.***

1. *Unscrew screws that hold metal brackets.*
2. *Slide metal bracket out of groove and remove.*
3. *Remove end cap.*
4. *Open the vessel.*
5. *Remove the membrane from the vessel from the feed inlet end.*
6. *Make sure the outside surface of the membrane and the inside surface of the vessel are clean and smooth.*
7. *Lubricate the prepared membrane seals with an approved lubricant suitable for the membranes. (Not silicone)*
8. *Note the directional flow arrow on the membrane matches the flow of the membrane vessel*
9. *Push the membrane with seals into the vessel from the feed inlet end. Make sure that the opening of seals faces the feed flow end.*

**WARNING** – ***Wrong installation direction of membrane may cause damage to the membrane element.***

10. *Push the membrane until the membrane completely fits into the other end. If there is difficulty in pushing the membrane, check whether the seals of the membrane are installed correctly. Make sure that the membrane is inserted into the vessel from the upstream end.*
11. *Close the vessel.*

**WARNING** – ***Never pressurise the vessel until the membrane is correctly installed.***

**NOTE** – *Check for leaks.*

# LOW PRESSURE SWITCH

## PRODUCT SPECIFICATION

**ITEM CODE: SWLP-H06 / SWLP-H20**

**DESCRIPTION: ADJUSTABLE PRESSURE SWITCH  
0-6KGS / 0-20KGS**

- For use with non-corrosive refrigerant as well as with air and water.
- Allowable fluid temp.: 10 - 120°C
- Double snap-action contact mechanism ensures reliable switching.
- Type SNS for universal application.
- Mounting bracket included.



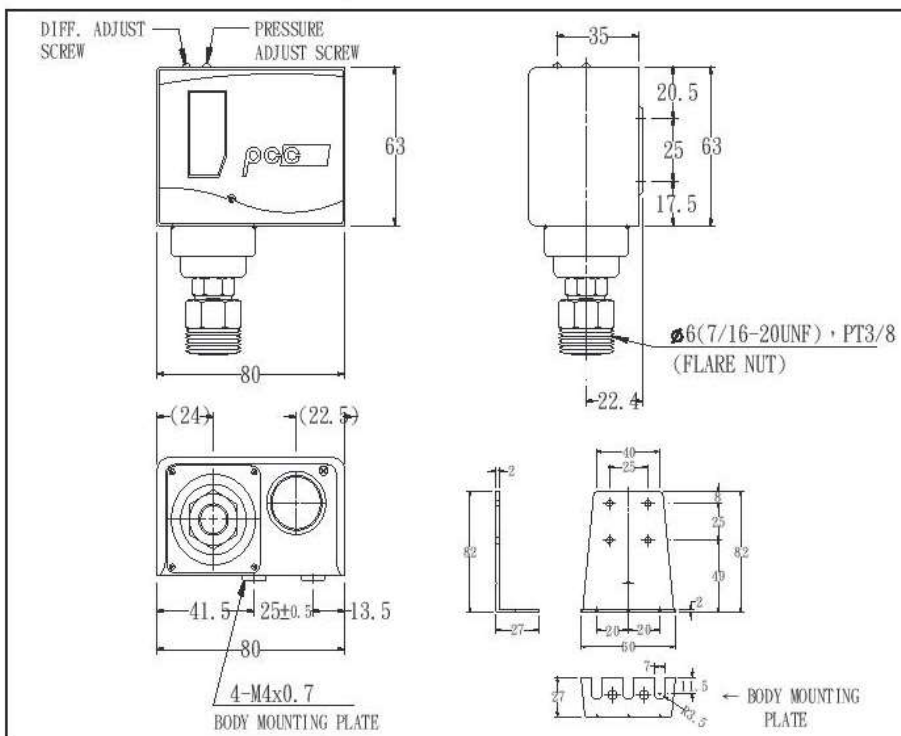
### ELECTRIC CONTACT CAPACITY

MOTOR RATING	POWER	125VAC	250VAC
Non-inductive Ampere	1A	10A	5A
Full load Ampere	0.75A	8.5A	4.5A

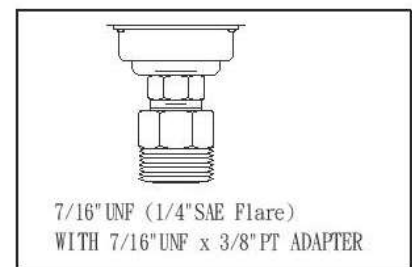
### SPECIFICATIONS

MODEL	UNIT : kg/cm <sup>2</sup>						MAX. WORKING PRESSURE	MAX. ALLOWABLE PRESSURE
	INITIAL SETTING		ADJUSTING RANGE		DIFF.			
	OFF	ON	MIN.	MAX.	MIN.	MAX.		
SWLP-H06	3±0.2	2±0.2	1	6	1	4	15	16
SWLP-H20	15±0.3	12±0.3	5	20	2	5	30	33

### MEASUREMENTS

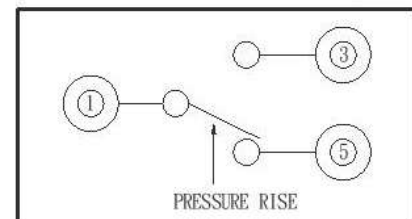


### PRESSURE CONNECTION PORT



STANDARD ↑

### CONTACT FUNCTION



- 1: COMMON TERMINAL
- 3: CLOSE ON, PRESSURE DECREASE
- 5: CLOSE ON, PRESSURE INCREASE

# Maintenance Records

## INSTALLATION

Permeate conductivity reading: ..... $\mu$ s  
Inlet conductivity reading: ..... $\mu$ s  
Concentrate flow: .....lpm  
Recycle flow: .....lpm  
Permeate flow: .....lpm @ ..... $^{\circ}$ C  
Inlet pressure .....psi  
Outlet pressure .....psi

## 1ST SERVICE

Permeate conductivity reading: ..... $\mu$ s  
Inlet conductivity reading: ..... $\mu$ s  
Concentrate flow: .....lpm  
Recycle flow: .....lpm  
Permeate flow: .....lpm @ ..... $^{\circ}$ C  
Inlet pressure .....psi  
Outlet pressure .....psi

## 2ND SERVICE

Permeate conductivity reading: ..... $\mu$ s  
Inlet conductivity reading: ..... $\mu$ s  
Concentrate flow: .....lpm  
Recycle flow: .....lpm  
Permeate flow: .....lpm @ ..... $^{\circ}$ C  
Inlet pressure .....psi  
Outlet pressure .....psi

## 3RD SERVICE

Permeate conductivity reading: ..... $\mu$ s  
Inlet conductivity reading: ..... $\mu$ s  
Concentrate flow: .....lpm  
Recycle flow: .....lpm  
Permeate flow: .....lpm @ ..... $^{\circ}$ C  
Inlet pressure .....psi  
Outlet pressure .....psi