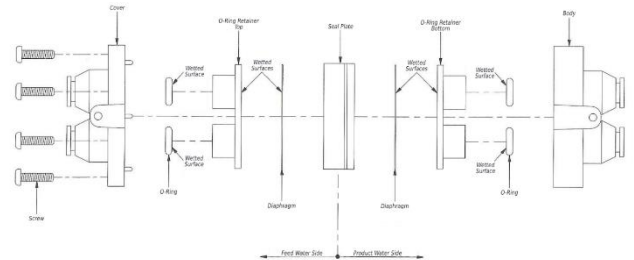
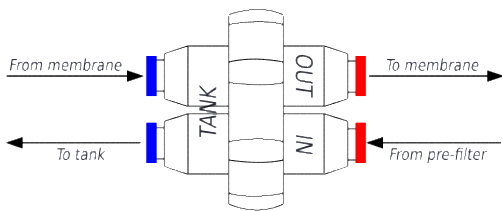


SHUT OFF VALVES



The ASV2000N is a compact valve with four fully integrated 1/4" tubing connections. This valve is designed for a reverse osmosis system. The valve shuts off when the tank pressure reaches 60% of the line or feed water pressure.

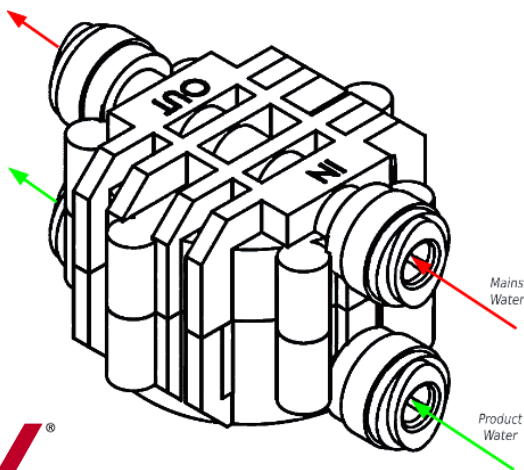


SPECIFICATIONS

Model	ASV2000N
Material	ABS plastic
Dimensions	2 1/2" L x 1 3/4" W x 1 1/2" D (3.5 L x 44.45 W x 38.1 D mm)
Connections	1/4"

FEATURES

- High pressure side labelled "in/out"
- Low pressure side labelled "tank"
- Gold seal from WQA for material safety and structural integrity
- Quick connect fittings



SPECIFICATIONS

AquaPro Shut Off Valve with Quick Connect	
Connection	1/4"
Max Operating Pressure	100 psi (8.8 kg/cm ²)
Working Temperature	41 - 104°F (5 - 40°C)

MATERIAL

Case	POM
Piston & Housing	Polypropylene
Diaphragm	EPDM
Screws	304 Stainless Steel



WaterMark Component
(# 506/QC only)

